



# RUNNING

## GOLF CARTS



2025



# RUN-S522-1

FOR 4 PASSENGERS



# RUN-S542-1

FOR 6 PASSENGERS



# LITHIUM BATTERY

LITHIUM ✓



100% CHARGE  
3 hrs.



56 mi

X ACID  
/ LEAD



100% CHARGE  
12 hrs.



21 mi



48V105 Ah  
with charger  
included



With **PLUG**  
to connect  
to any  
power outlet

**WARNING**

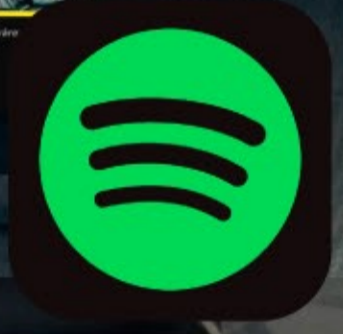
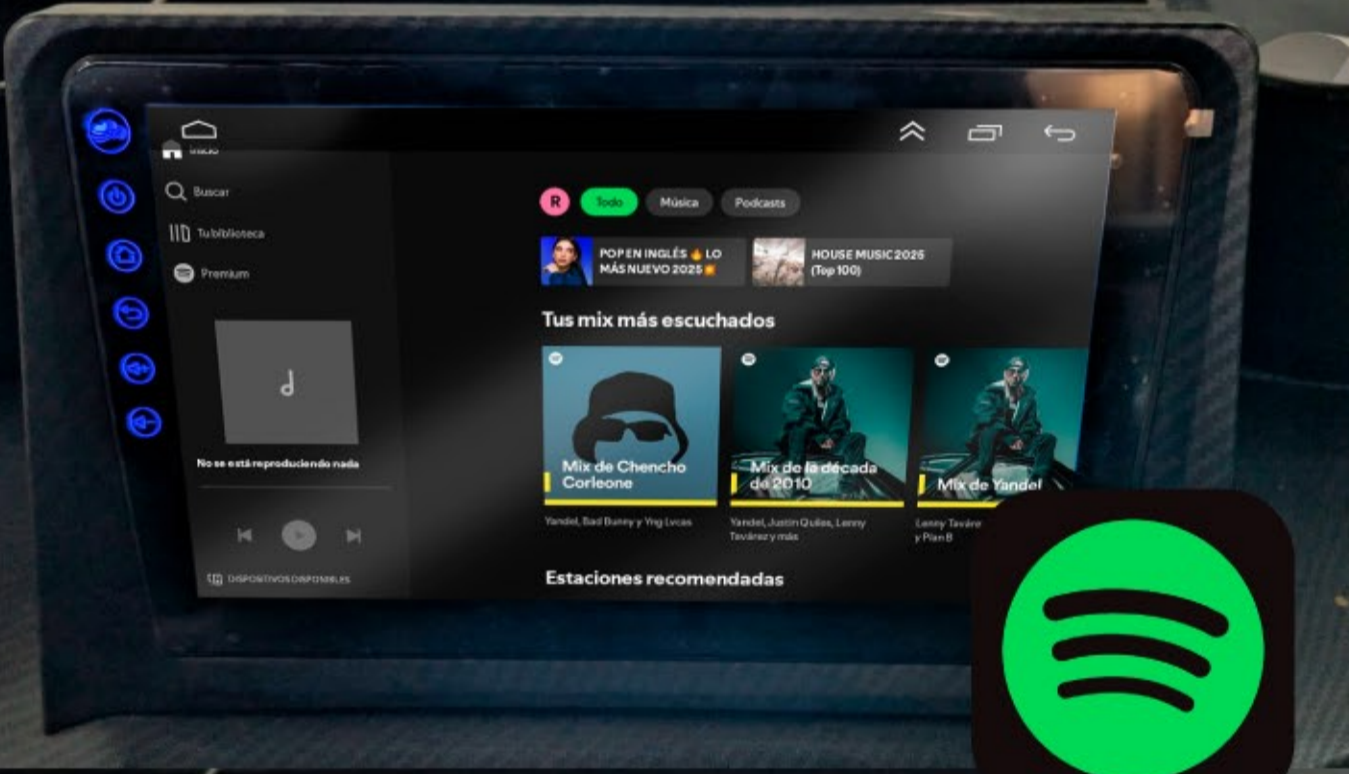
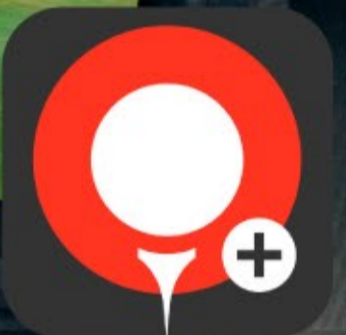
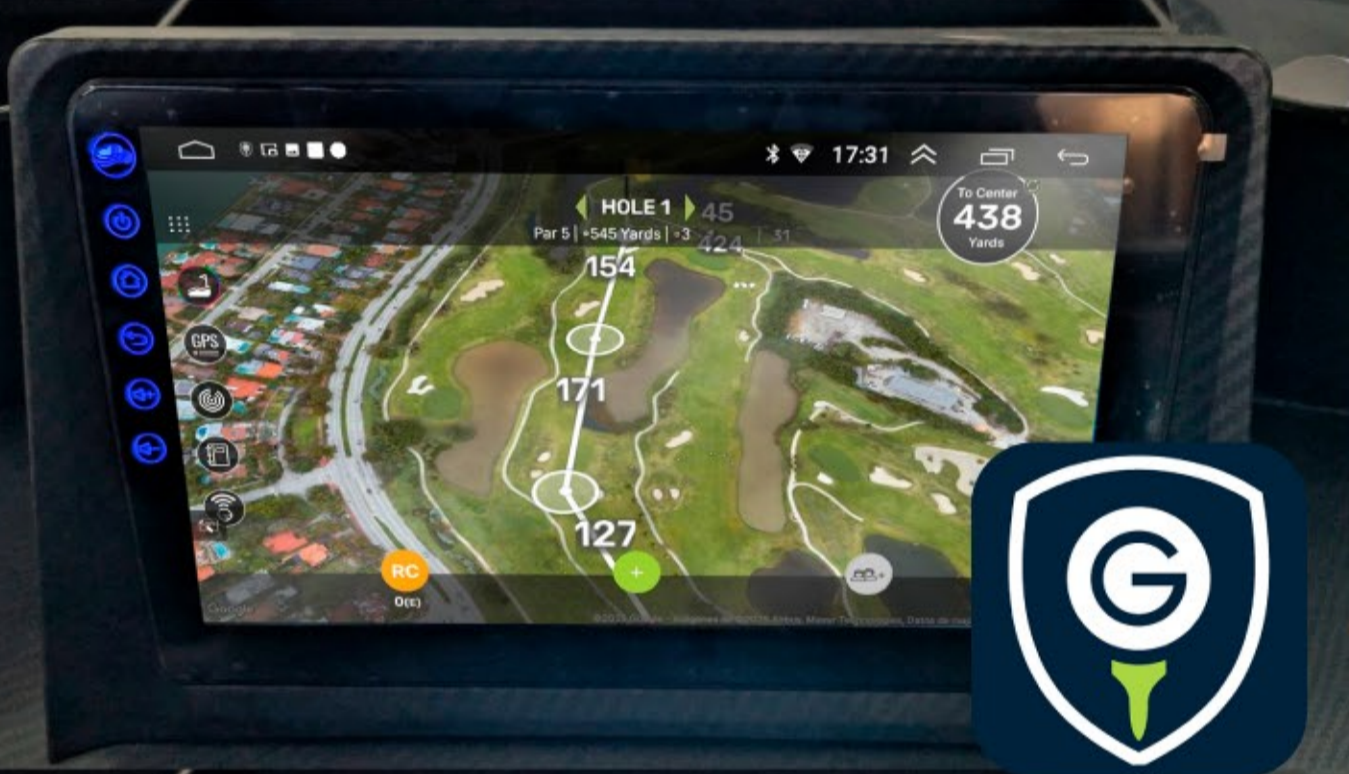
1. Please charge in a well-ventilated environment, away from all fire sources.
2. Check whether the voltage of the charger is normal.
3. Do not overcharge or undercharge.
4. Please charge in the environment of -5°C-35°C.



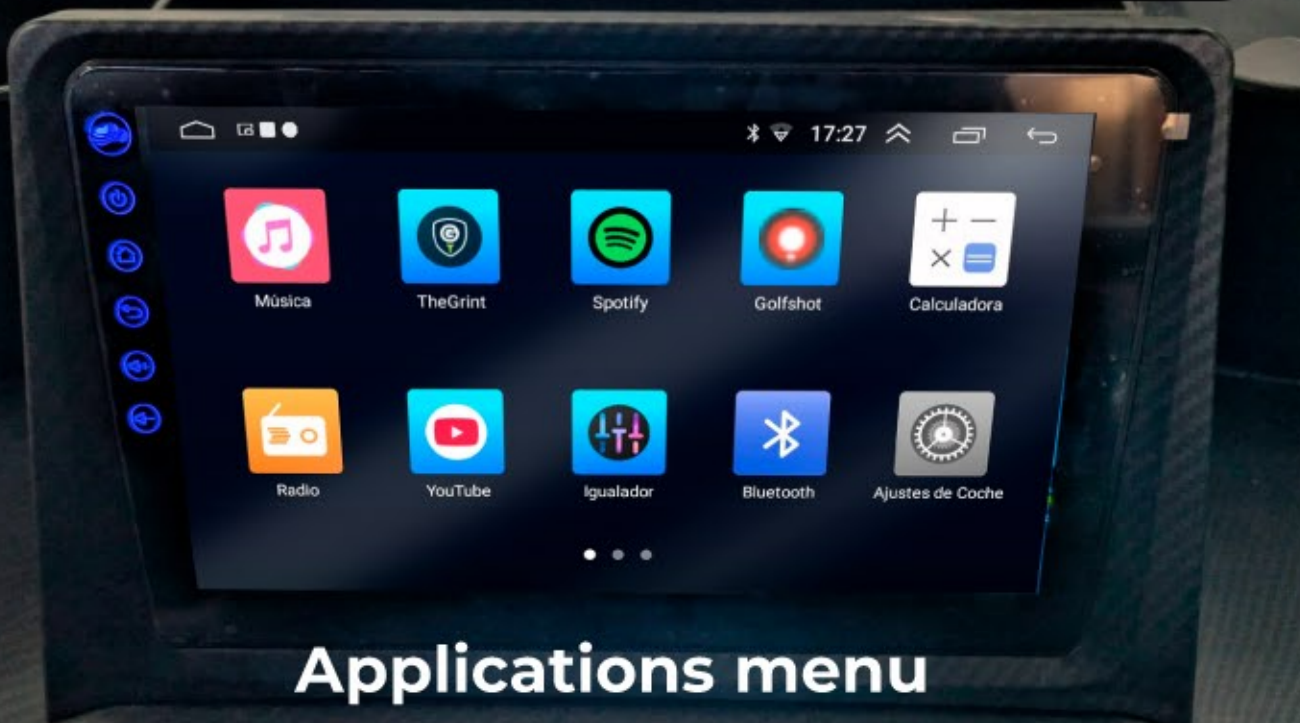
# SCREEN

## WITH GOLF COURSES AND GPS

10.1" touch screen  
with Apple CarPlay  
and Android Auto



Reverse camera



Applications menu

# COOLERS

**CLASSIC REMOVABLE  
SIDE COOLER  
WITH HANDLE**

**REAR COOLER  
IN TRUNK WITH  
LARGE CAPACITY  
AND FOLDING LID**



# PLATE

ALL OUR CARTS HAVE **REPUVE**  
VIN NUMBER FOR PLATE AN CIRCULATE



1.5 inch steel  
profile structure

# AMENITIES

USB-A and two USB-C connectors  
for fast charging

Multipurpose  
storage  
spaces



# AMENITIES

All LED lights  
2 headlights, 2 front turn signals, 2 taillights  
(each combines 1 brake light with 1 turn signal)



Sports  
steering wheel



Embroidered  
seats

6 cup holders



Stereo sound  
with 2 rainproof 60W speakers

# MATTE PAINT

WITH INTEGRATED CERAMIC COATING

MATTE  
BLACK



MATTE  
PETROL



MATTE  
BRONCE



# BRIGHT PAINT

ATLANTIS



GRADIENT GREY



BILBAO GREEN



MINERAL WHITE



ECHO GREY



LA PAZ  
CABOS

**\$299,900** **NXXM**

\* PRICES JANUARY 2025

**RUN-S522-1**

**4 PAX**



\* PRECIO SUJETO A CAMBIO SIN PREVIO AVISO

LA PAZ  
CABOS

**\$319,900** **NXXM**

\* PRICES JANUARY 2025

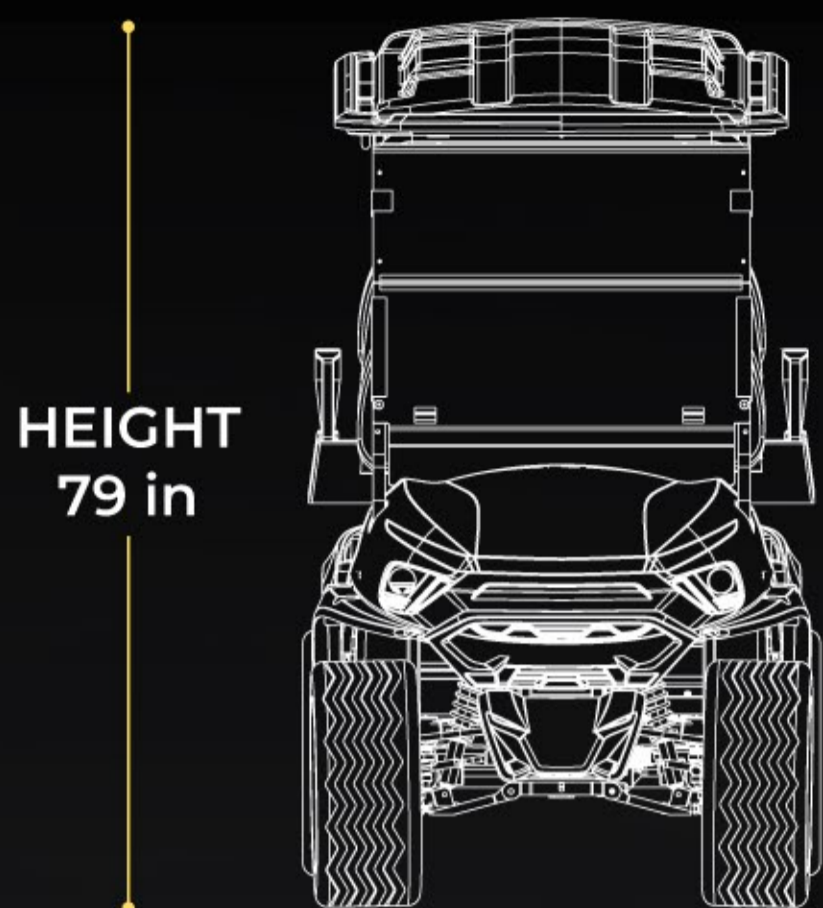
**RUN-S542-1**

**6 PAX**



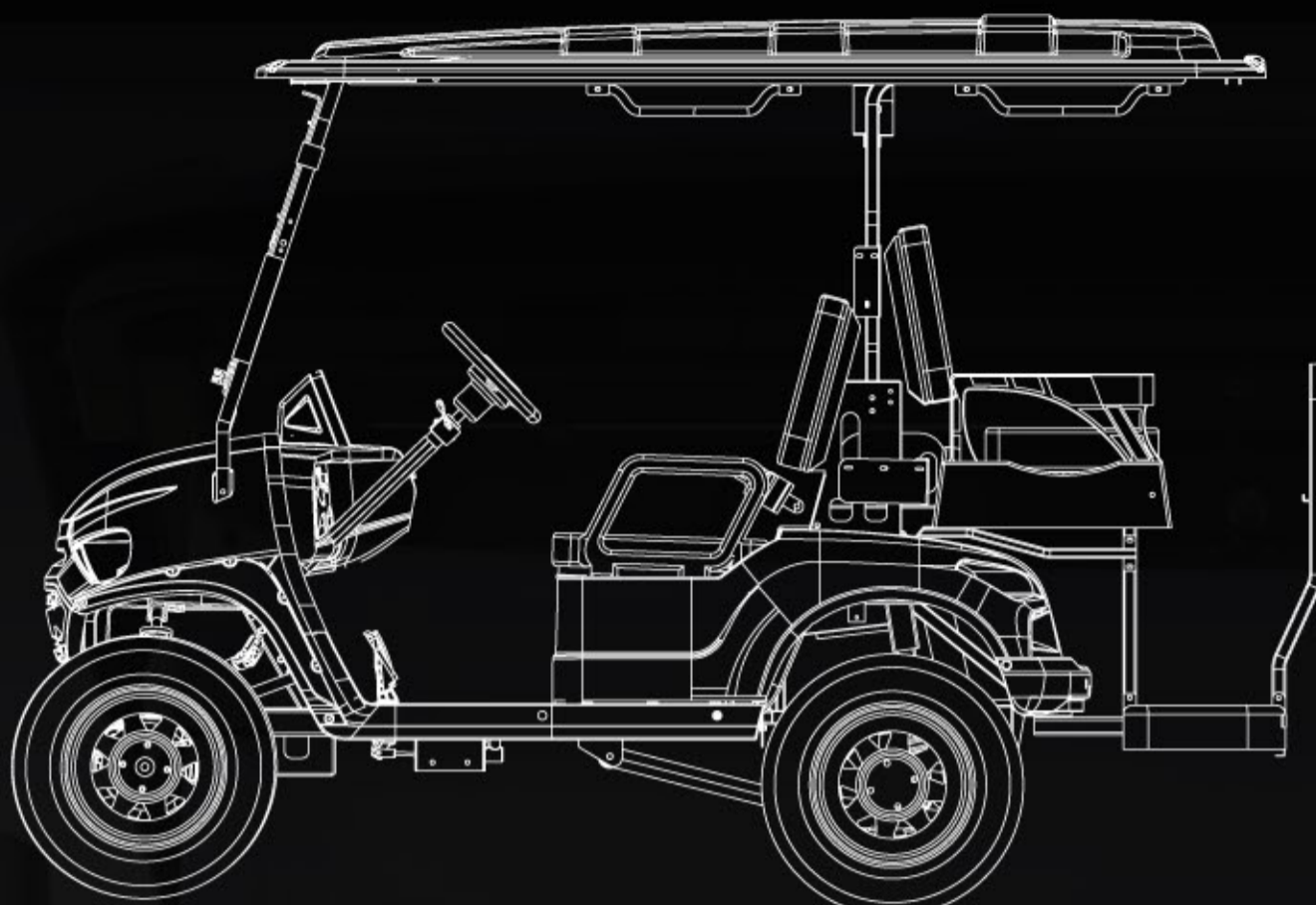
\* PRICES MAY CHANGE WITHOUT NOTICE

# DATA SHEET

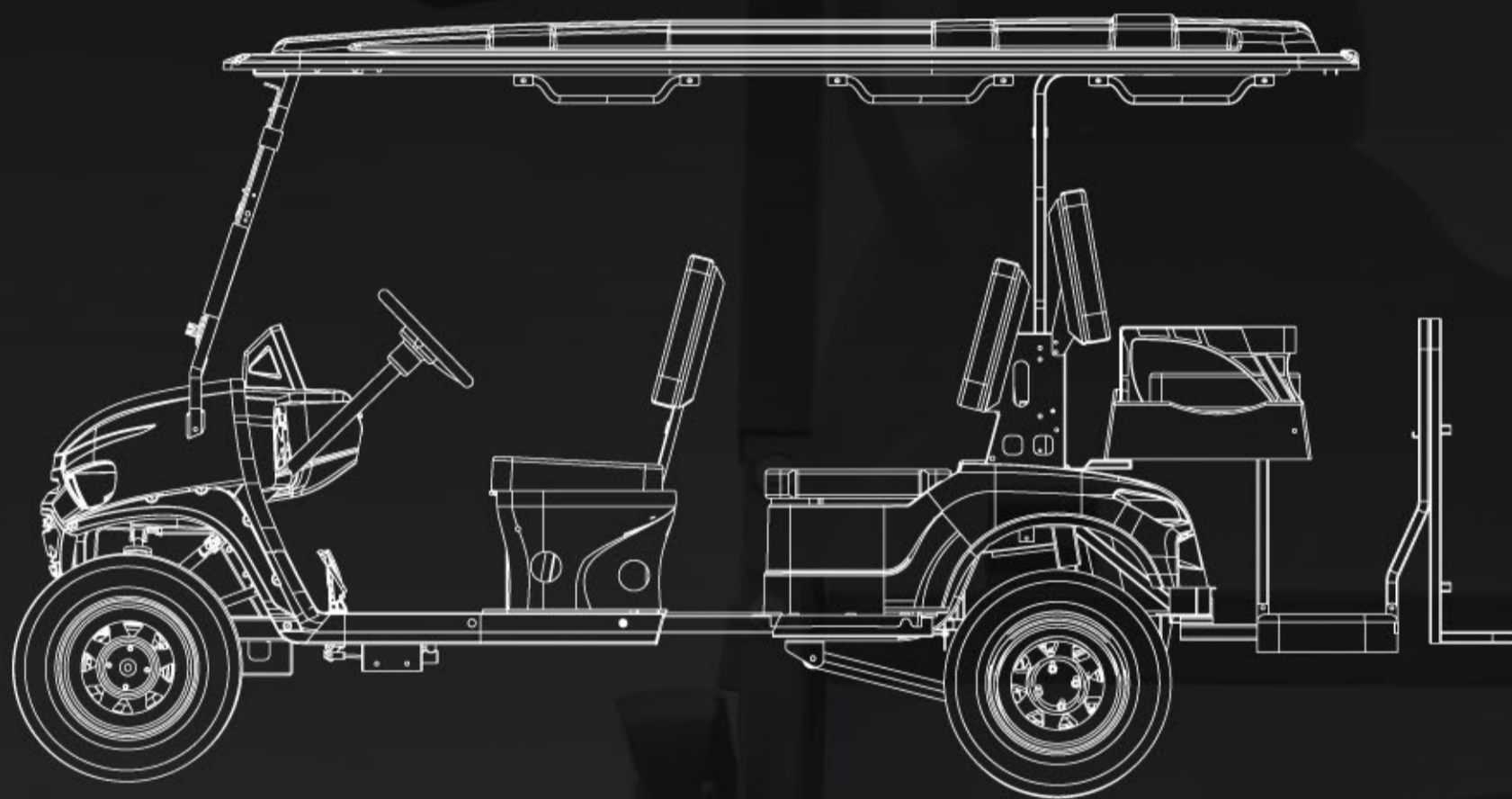


HEIGHT  
79 in

WIDTH: 53 in



LENGTH: 126 in



LENGTH: 148 in

- Golf Cart with 48V105 Ah **Lithium Battery** with charger included.
- **48V/5kW** AC system.
- 5kW AC motor.
- Capacity for **4 or 6 passengers**.
- **Equipment rack** for 2 golf bags, in 4-passenger version.
- **Hydraulic brake** on all 4 wheels, front disc, rear disc + electromagnetic parking.
- Maximum speed: **35km/h**

- Average charging time: **3 to 4 hours**

- Full charge range: **90km**

- **Welded steel frame** with phosphate treatment + electrocoating of an inch and a half thickness.

- **CPP plastic front body** + PP plastic rear body.

- **Sports steering wheel**

## **WARRANTY\*\***

**2 years on battery and 12 months on the cart from the date of delivery.**

\*\*details refer to the terms and conditions of the warranty.



# RUNNING

## GOLF CARTS

### CONTACT US

Soria 707

Lomas de Vista Hermosa Sur

León, Guanajuato. 37330

Tels: 477 211 41 41 . 477 211 43 94 y 95

 +52 477 591 8028

  runningcarmx

[runningcar.mx](http://runningcar.mx)

RUNNING